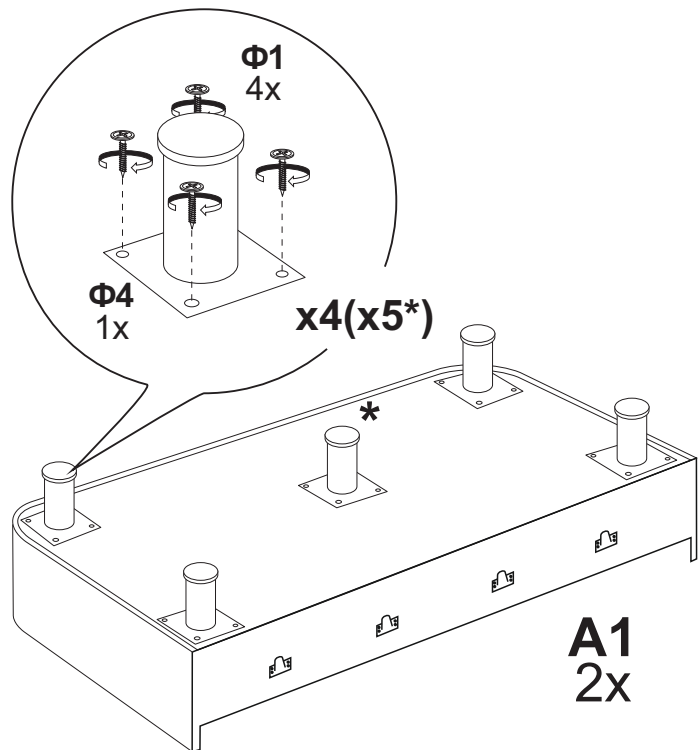
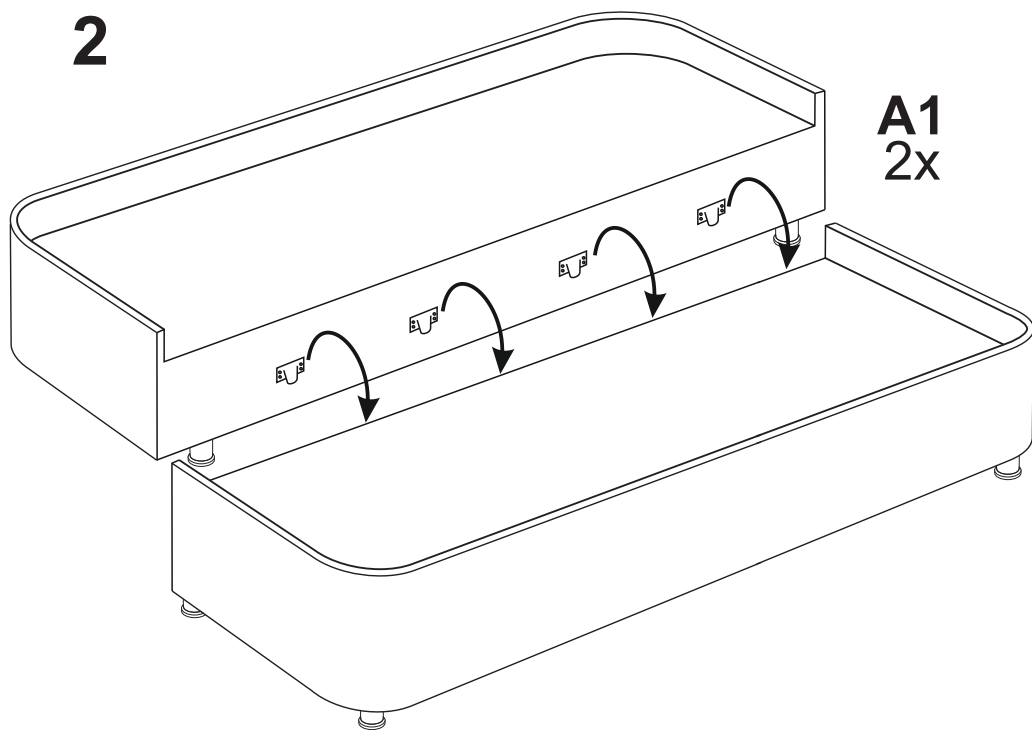


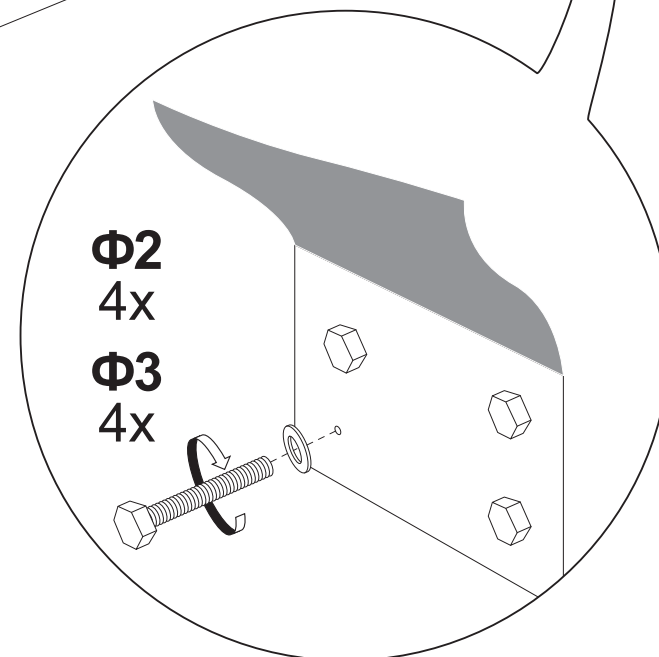
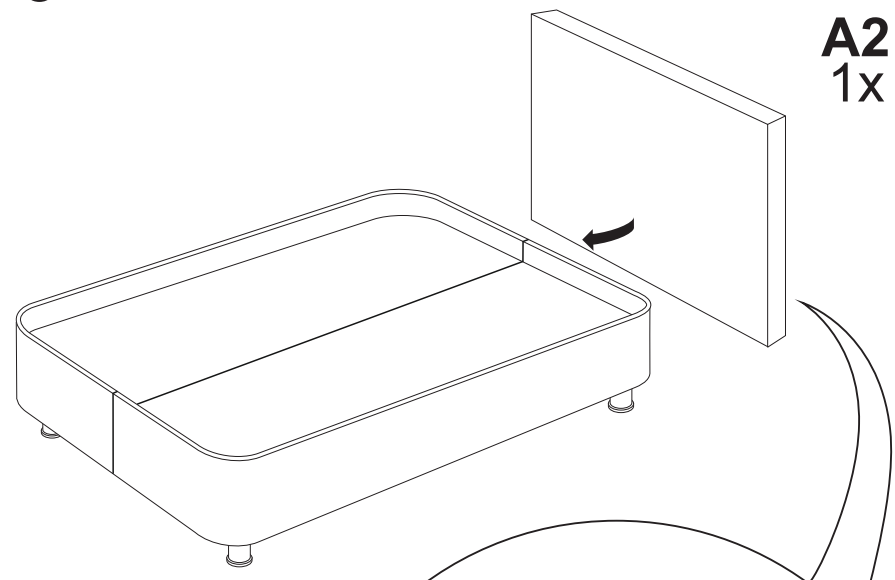
1

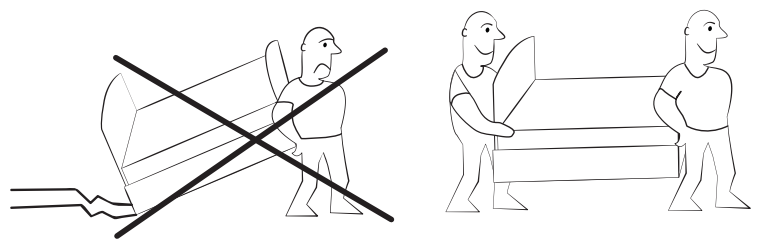
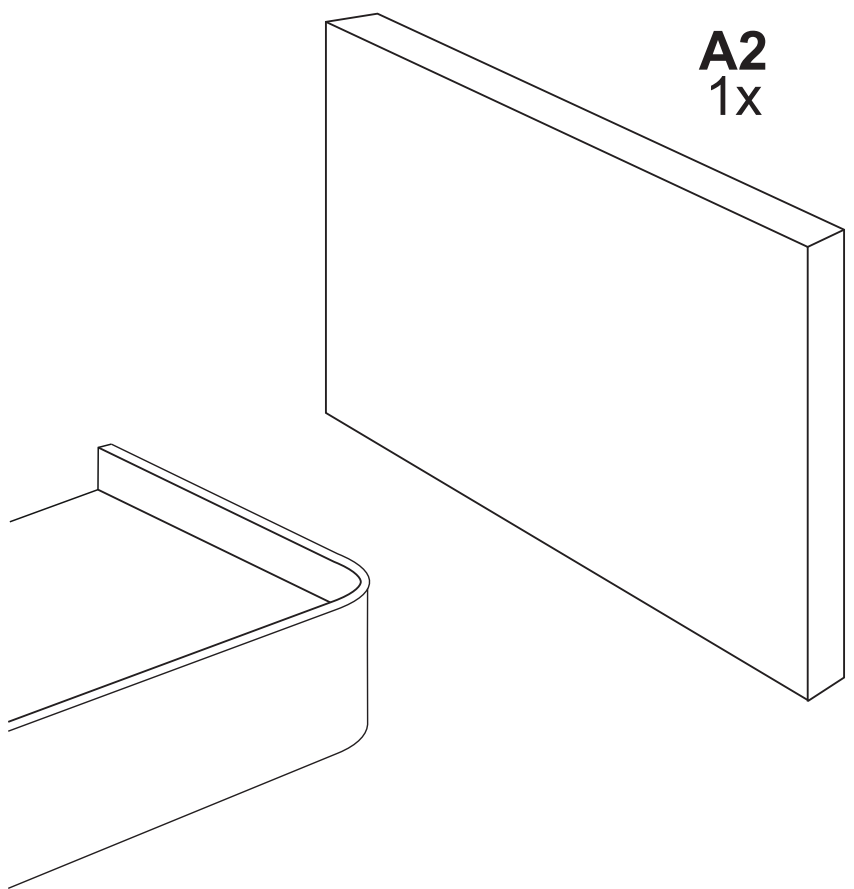


2



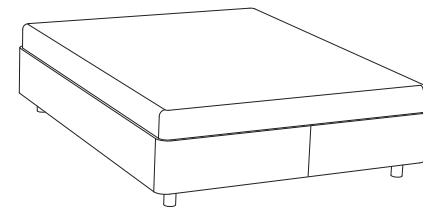
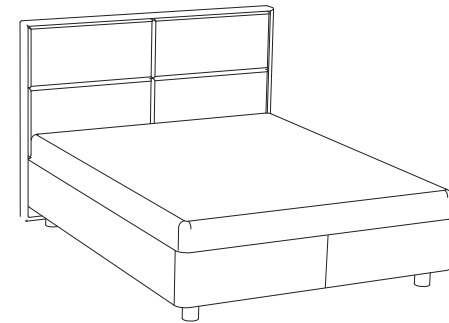
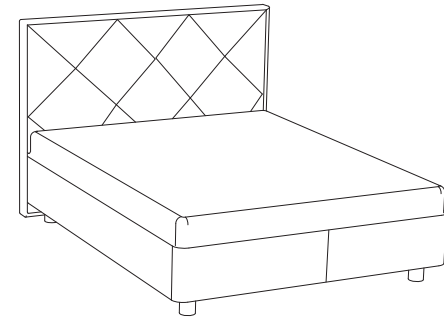
3



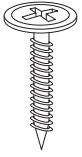


ROCKY SET

1/2/Base

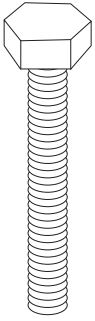


Φ1



32x (40x*)

Φ2



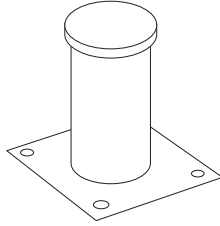
4x

Φ3

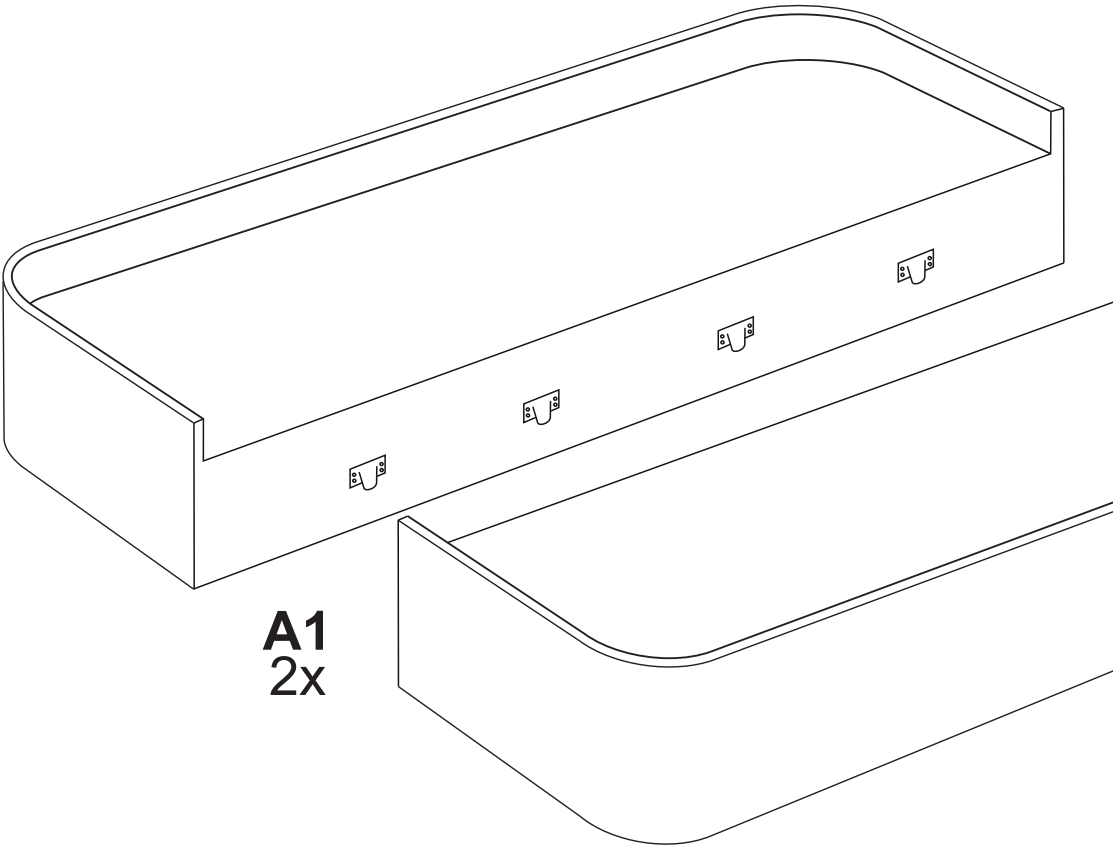


4x

Φ4



8x (10x*)



A1
2x